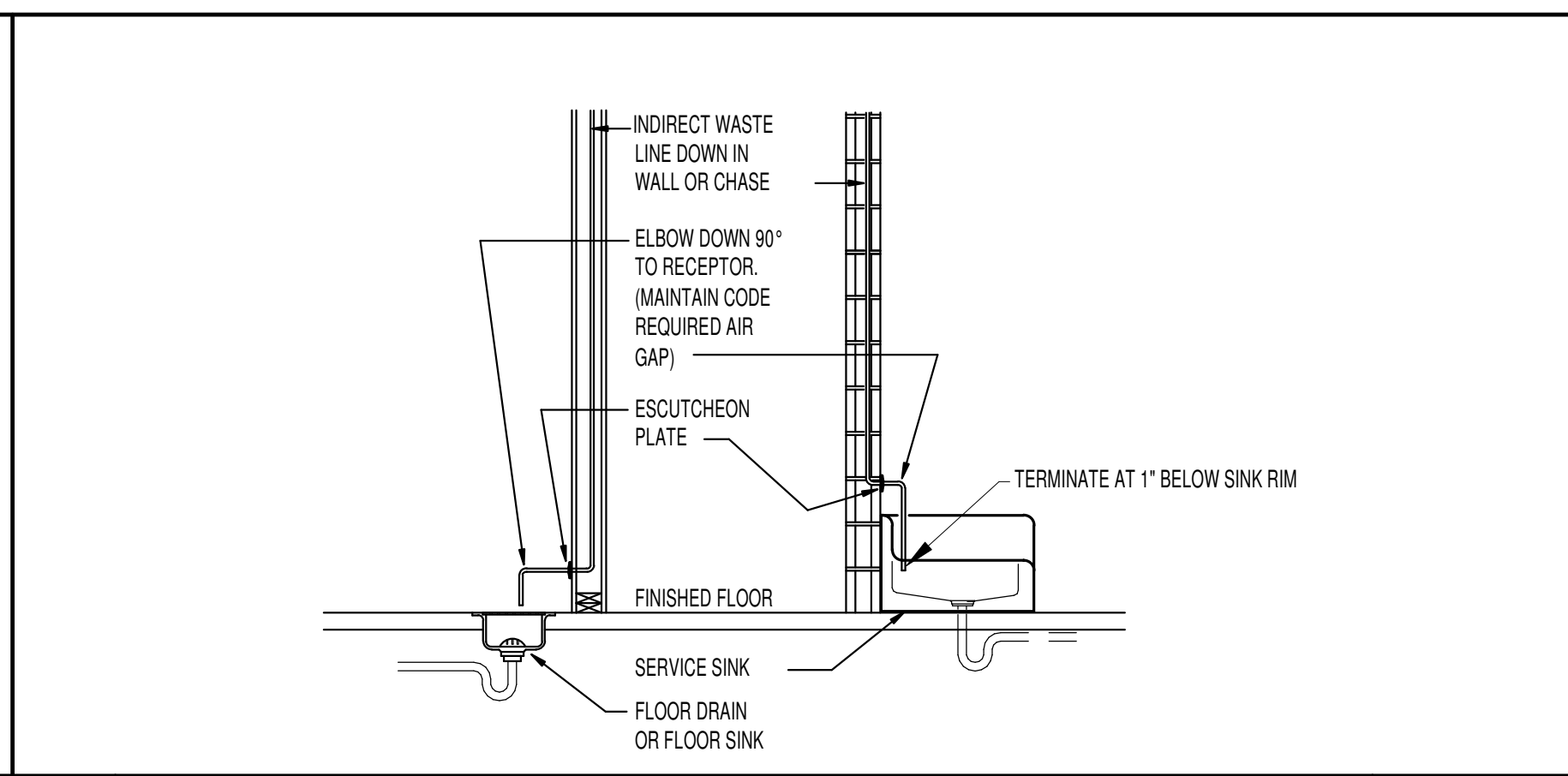
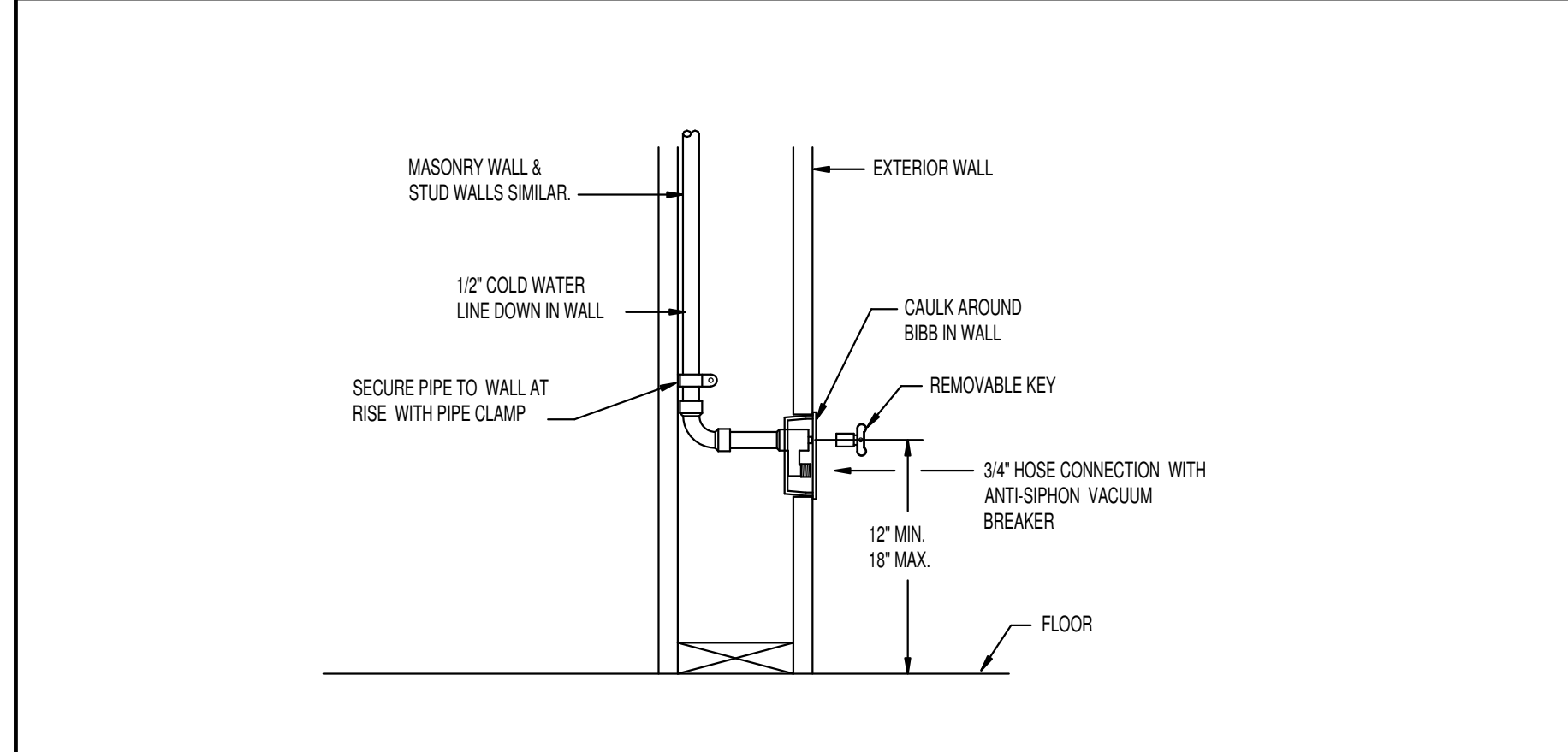


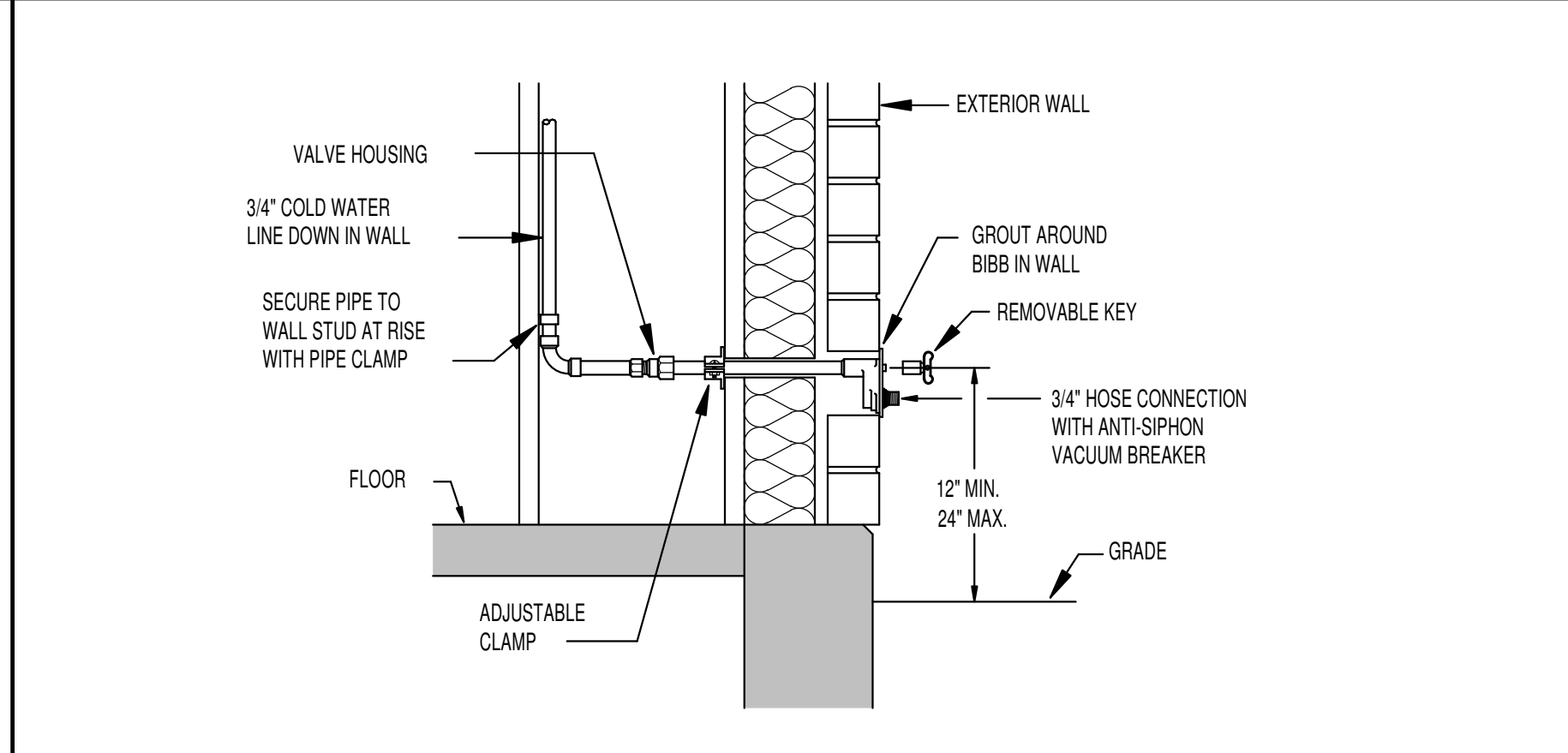
A | CONDENSATE DRAIN CONNECTION NO SCALE



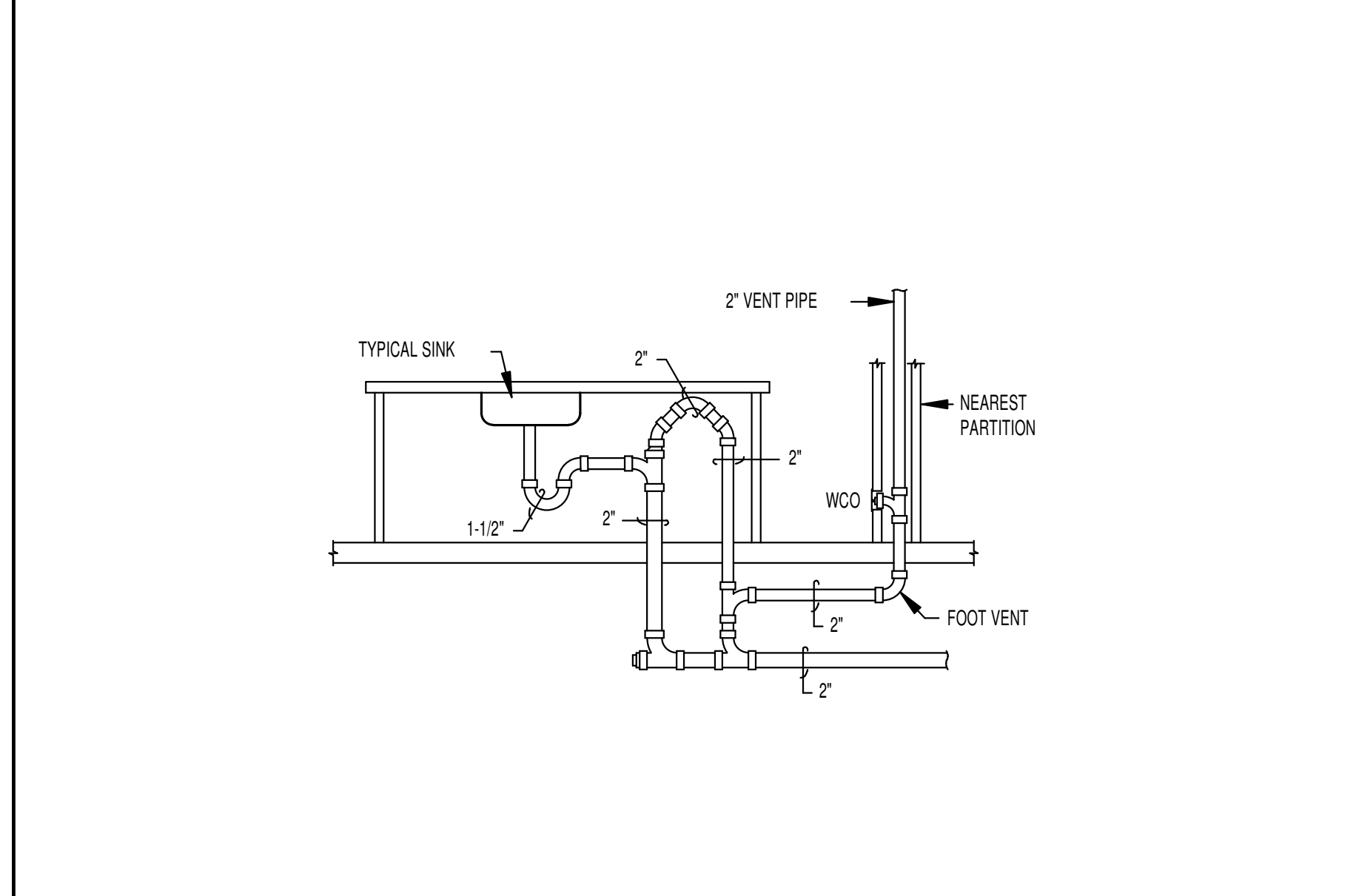
B | INDIRECT DRAIN LINE INSTALLATION NO SCALE



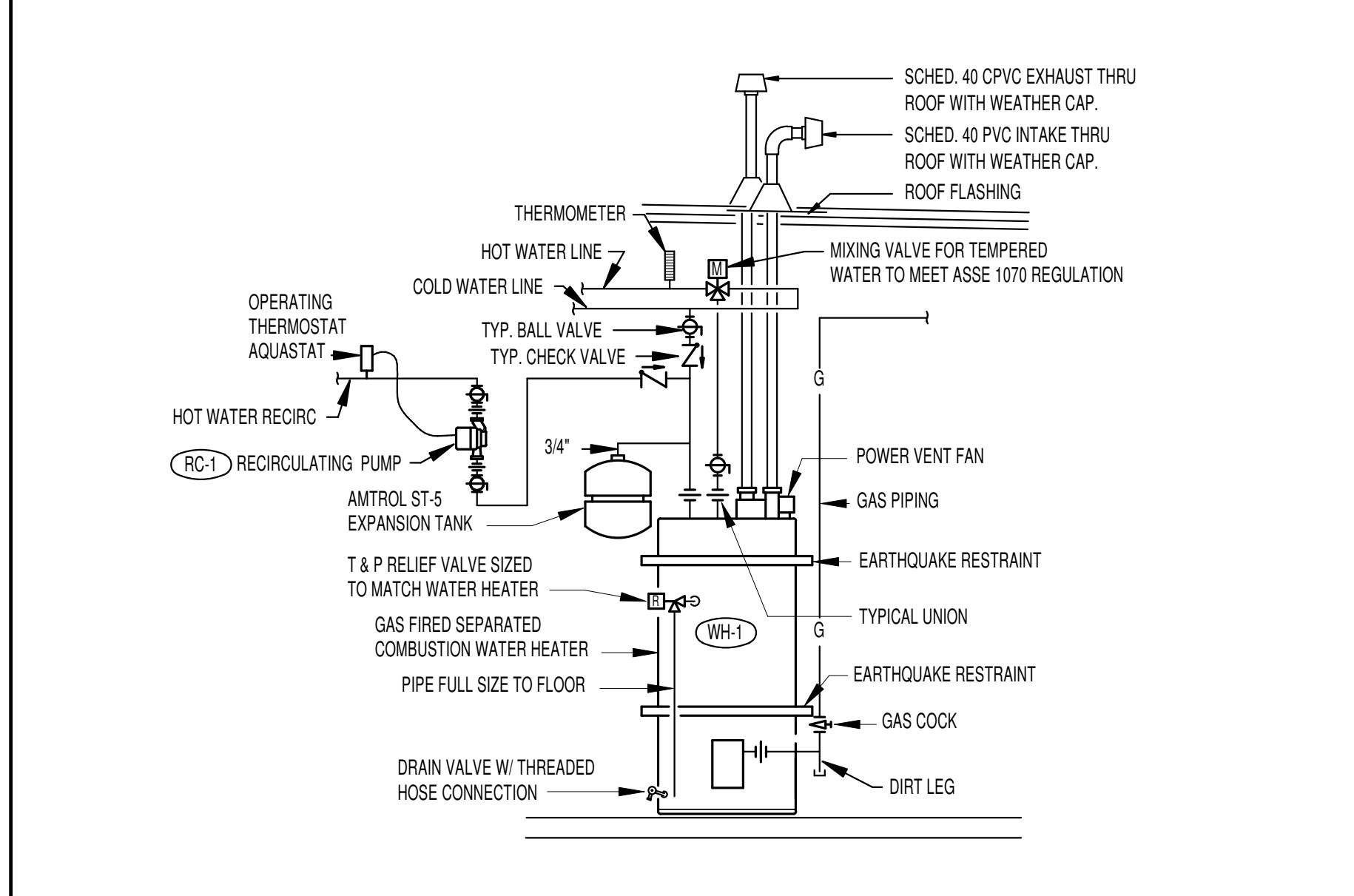
C | INTERIOR HOSE BIBB DETAIL NO SCALE



D | EXTERIOR HOSE BIBB DETAIL NO SCALE



E | ISLAND SINK VENTING DETAIL NO SCALE



F | WATER HEATER PIPING DETAIL NO SCALE

FIXTURE SCHEDULE					
SYM.	DESCRIPTION	HOT	COLD	WASTE	VENT
DF-1	BI-LEVEL DRINKING FOUNTAIN - ELKAY LZSLFWLSK WITH EZH2O BOTTLE FILLING STATION, FRONT AND SIDE EASY TOUCH CONTROLS, FLEX-GUARD BUBBLES, 1/2" STOP VALVE AND 1-1/2" P-TRAP (120/80/1)	--	1/2"	1-1/2"	1-1/2"
DW-1	DISHWASHER - FURNISHED BY OTHERS, PLUMBING CONTRACTOR TO ROUGH-IN AND CONNECT 1/2" HOT WATER LINE AND 3/4" DRAIN LINE FROM ADJACENT SINK. PROVIDE SHUT-OFF VALVE ON HOT WATER LINE.	1/2"	--	--	--
ES-1	EMERGENCY SHOWER AND EYEWASH - HAWS MODEL 812RPP WITH SELF-CLOSING VALVE, 1-1/4" SUPPLY AND REMOTE MIX ON FULL ROPE, EYE WASH BASIN WITH 1-1/2" DIA. PLASTIC RECEPTOR WITH STAY-OPEN VALVE. EXPOSED PIPING TO CEILING STRUCTURE AND/OR WALL. ALL EXPOSED PIPING TO BE CHROME OR STAINLESS STEEL. REFER TO DETAIL FP3.1	--	1-1/4"	1-1/4"	FLOOR
FD-1	2" FLOOR DRAIN - ZURN Z-415 WITH TYPE B; 5" DIA. NICKEL-BRONZE STRAINER, 2" DEEP SEAL P-TRAP AND TRAP PRIMER CONNECTION. SEE DETAIL LP3.1	--	1/2"	2"	2"
FD-2	4" FLOOR DRAIN - ZURN Z-415 WITH TYPE B; 8" DIA. NICKEL-BRONZE STRAINER, 4" DEEP SEAL P-TRAP AND TRAP PRIMER CONNECTION. SEE DETAIL MP3.1	--	1/2"	4"	2"
FH-1	4" FLAME HOOD - SUPPLIED AND INSTALLED BY OTHERS, PLUMBING CONTRACTOR TO ROUGH-IN AND CONNECT 1/2" COLD WATER, 1/2" HOT WATER, 3/4" GAS, AND 1-1/2" WASTE AND VENT LINES. FIELD VERIFY EXACT ROUGH-IN LOCATIONS WITH EQUIPMENT SUPPLIER. SEE DETAIL KP3.1 FOR TYPICAL INSTALLATION.	1/2"	1/2"	1-1/2"	1-1/2"
FS-1	FLOOR SINK WITH HALF GRATE - ZURN Z-1900-2 WITH 1/2" GRATE, DOME STRAINER, WHITE ENAMEL FINISH, 2" DEEP SEAL P-TRAP AND TRAP PRIMER CONNECTION. SEE DETAIL LP3.1	--	1/2"	2"	2"
FS-2	FLOOR SINK WITH HALF GRATE - ZURN Z-1900-2 WITH 1/2" GRATE, DOME STRAINER, WHITE ENAMEL FINISH, 4" DEEP SEAL P-TRAP AND TRAP PRIMER CONNECTION. SEE DETAIL LP3.1	--	1/2"	4"	2"
GC-1	GAS COCK - 1/8" BRASS BL-4200-02 DUAL TURRET WITH TWO HOSE COCKS AT 180 DEGREES, BL-5900-10 SUPPLY NIPPLE AND LOCK NUT 3/8" NPT FEMALE INLET. LABEL AS 'GAS'.	--	--	--	--
HB-1	EXTERIOR HOSE BIBB - ZURN Z-1310 'ECOLOTRAC' WITH REMOVABLE KEY, VACUUM BREAKER, AND AUTOMATIC DRAIN. LENGTH TO SUIT WALL THICKNESS. SEE DETAIL DP3.2	--	3/4"	--	--
HB-2	INTERIOR HOSE BIBB - ZURN MODEL Z-1335 WALL HYDRANT WITH RECESSED BOX WITH LOCKING COVER. REMOVABLE TEE HANDLE AND VACUUM BREAKER. REFER TO DETAIL DP3.2 FOR TYPICAL INSTALLATION.	--	1/2"	--	--
ICE	ICE BOX CONNECTION - 81/2" GREY MODEL 81M87S WITH 1/2" COLD WATER CONNECTION AND SHUT-OFF VALVE. MOUNTED RECESSED IN WALL NEAR FLOOR.	--	1/2"	--	--
JS-1	FLOOR MOUNTED SERVICE SINK - KOHLER K-6710 'WHITBY' WITH K-8940 WIRE RIM GUARD, K-8928 FAUCET ASSEMBLY AND K-8147 DRAIN ASSEMBLY WITH 2" DEEP SEAL P-TRAP.	1/2"	1/2"	2"	2"
L-1	WALL HANG LAVATORY - KOHLER K-2022 'GREENWICH' (SIZE 20x18) WITH K-1388 OFFSET OPEN GRID STRAINER, SLOAN EBF-85 OPTIMA AUTO FAUCET WITH MIXING VALVE, WALL CARRIER, 1/2" STOP AND 1-1/2" P-TRAP. PROVIDE INSULATING JACKET ON WATER AND WASTE LINES.	1/2"	1/2"	1-1/2"	1-1/2"
L-2	WASH BASIN - WILLOUGHBY INDUSTRIES MODEL WELS-2290-WALL-100 THREE STATION LAVATORY SYSTEM WITH HEAVY-DUTY STAINLESS STEEL GRATE AND REMOVABLE SHROUD WITH SECURITY SCREWS. COLOR BY ARCHITECT. PROVIDE SINGLE TEMPERED LINE WITH PRE-ASSEMBLED MIXING VALVE AND (S) SLOAN MODEL EAF-150 BATTERY POWERED DECK-MOUNTED FAUCET WITH INFRARED SENSORS.	3/4"	3/4"	2"	2"

FIXTURE SCHEDULE					
SYM.	DESCRIPTION	HOT	COLD	WASTE	VENT
DD-1	4" OVERFLOW DRAIN - JAY R. SMITH MODEL 1080 WITH UNDER DECK CLAMP, DOME STRAINER, 2" HIGH WATER DAM AND 4" LINE CONNECTION.	--	--	4"	--
R-1	GAS OVEN/RANGE - FURNISHED BY OTHERS, PLUMBING CONTRACTOR TO ROUGH-IN AND CONNECT 1/2" GAS LINE WITH PRESSURE REGULATOR, SHUT-OFF VALVE AND FLEXIBLE HOSE. REFER TO DETAIL MP3.1 FOR TYPICAL GAS LINE CONNECTION.	--	--	6"	--
RD-1	4" ROOF DRAIN - JAY R. SMITH MODEL 1010 WITH UNDER DECK CLAMP DOME STRAINER AND 4" LINE CONNECTION.	--	--	4"	--
RP-1	RECIRC PUMP - B&G SERIES LR-208F 'LITTLE RED' WITH 4 GPM FLOW AT 8' HEAD AND 3/4" LINE CONNECTIONS. MOUNT NEAR WATER HEATER. REFER TO DETAIL FP3.2 FOR TYPICAL CONNECTION. 120/80/1 - 1/20 HP	3/4"	--	--	--
S-1	SINGLE COMPARTMENT SINK - ELKAY DCFU-2418 STAINLESS STEEL UNDERMOUNT SINK WITH LX-99 STRAINER, MOEN 8279 GOOSENECK FAUCET WITH WRIST BLADE HANDLES, 1/2" STOP AND 1-1/2" P-TRAP.	1/2"	1/2"	1-1/2"	1-1/2"
S-2	CHEM PREP SINK - ELKAY EFRU-191610T 16 GAUGE STAINLESS STEEL UNDERMOUNT SINK WITH LX-99 STRAINER, MOEN 8279 GOOSENECK FAUCET WITH WRIST BLADE HANDLES, 1/2" STOP AND 1-1/2" P-TRAP.	1/2"	1/2"	1-1/2"	1-1/2"
S-3	SCIENCE ROOM SINK - ELKAY EFRU-131610T, 16 GAUGE STAINLESS STEEL UNDERMOUNT SINK WITH LX-99 STRAINER, MOEN 8279 GOOSENECK FAUCET WITH WRIST BLADE HANDLES, 1/2" STOP AND 1-1/2" P-TRAP.	1/2"	1/2"	1-1/2"	1-1/2"
S-4	CHEMISTRY ROOM SINK - FURNISHED AS PART OF CHEMISTRY TABLES, PLUMBING CONTRACTOR TO ROUGH-IN AND CONNECT 1/2" HOT AND COLD WATER LINES, AND 1-1/4" WASTE AND VENT PIPING. REFER TO DETAIL FP3.2 FOR TYPICAL ISLAND SINK VENTING. PROVIDE AND INSTALL MOEN 8279 GOOSENECK FAUCET WITH WRIST BLADE HANDLE, 1/2" STOP AND 1-1/2" P-TRAP.	1/2"	1/2"	1-1/2"	1-1/2"
TP-1	TRAP PRIMER FOR SINGLE DRAINS - ZURN Z-1022XL IN LINE PRIMER. MOUNT RECESSED IN WALL BELOW SINK WHERE SHOWN ON PLANS. RUN 1/2" COLD WATER LINE BELOW FLOOR TO SINGLE FLOOR DRAIN OR FLOOR SINK. REFER TO DETAIL MP3.1.	--	1/2"	--	--
TP-2	TRAP PRIMER FOR MULTIPLE DRAIN - ZURN Z-1022XL-10-CW ELECTRONIC TRAP PRIMER SYSTEM. SURFACE MOUNT ON WALL WITH COVER. RUN 1/2" COLD WATER LINE BELOW FLOOR TO EACH FLOOR DRAIN AS SHOWN ON PLAN. REFER TO DETAIL LP3.1.	--	3/4"	--	--
U-1	WALL MOUNTED URINAL - KOHLER K-4984-T 'FRESHMAN' WITH SLOAN 8186 OPTIMA PLUS (BATTERY POWERED) SENSOR FLUSH VALVE AND WALL CARRIER. SEE ARCHITECTURAL DRAWINGS FOR MOUNTING HEIGHTS.	--	3/4"	2"	2"
WC-1	ADA FLUSH VALVE WATER CLOSET - KOHLER K-4988 'HIGHCLIFF' WITH ELONGATED BOWL, K-4670-C OPEN FRONT SEAT, SLOAN 8111 OPTIMA PLUS (BATTERY POWERED) SENSOR FLUSH VALVE AND BOLT CAPS.	--	1"	4"	2"
WC-2	FLUSH VALVE WATER CLOSET - KOHLER K-4550 'WELLCOMME' WITH ELONGATED BOWL, K-4670-C OPEN FRONT SEAT, SLOAN 8111 OPTIMA PLUS (BATTERY POWERED) SENSOR FLUSH VALVE AND BOLT CAPS.	--	1"	4"	2"
WF-1	4" WALL FLANGE - JAY R. SMITH MODEL 1770 WITH ROUGH BRONZE FINISH, WALL FLANGE AND 4" LINE CONNECTION.	--	--	4"	--
WF-2	6" WALL FLANGE - JAY R. SMITH MODEL 1770 WITH ROUGH BRONZE FINISH, WALL FLANGE AND 6" LINE CONNECTION.	--	--	6"	--
WH-1	GAS WATER HEATER - A.O. SMITH MODEL GPOX-TS WITH 75 GALLON CAPACITY, 70,000 BTU INPUT, 3/4" SUPPLIES AND T&P RELIEF VALVE AMTROL ST-5 THERMAL EXPANSION TANK, HEAT TRAP NIPPLES AND SYMMONDS 7-500 MIXING VALVE. SEE DETAIL FP3.2.	1"	1"	--	--

BID SET - 01/24/2020

HUMMEL
 a: 2785 North Bogus Basin Road
 Boise, Idaho 83702
 p: (208) 343.7523
 f: (208) 343.0940

Project:
POCATELLO HIGH SCHOOL - ADDITION & RENO.

325 N ARTHUR AVE
 POCATELLO, ID 83204

Sheet:
PLUMBING FIXTURE SCHEDULE AND DETAILS

Revisions: Δ

Engineered Systems Associates
 1355 EAST CENTER
 POCATELLO, IDAHO 83201
 PHONE: (208) 233-0501
 FAX: (208) 233-0529
 EMAIL: esa@engsystems.com
 ESA JOB NUMBER: 18075

Project No: 1355 EAST CENTER
 Drawn By: M Jensen
 Checked By: D Sudweeks
 Date: 01/24/2020

Sheet No: **P3.2**